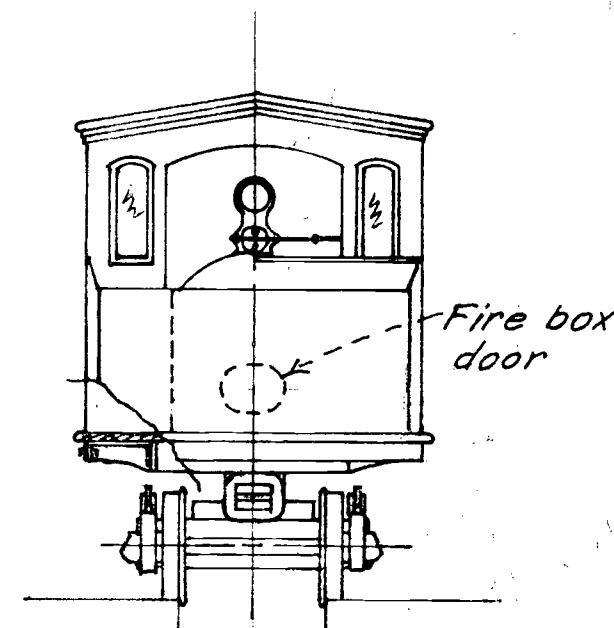
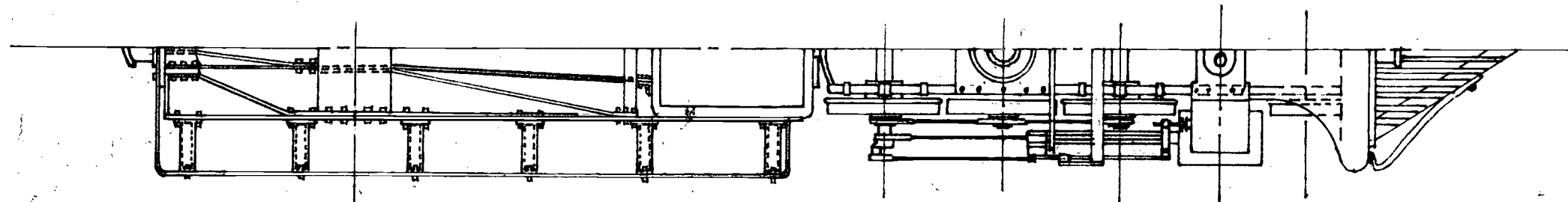
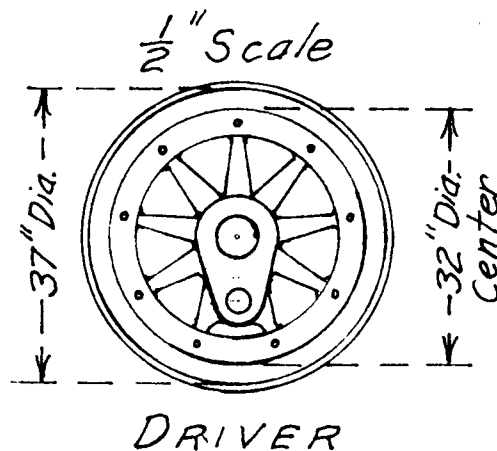


Nos. 14-16, 20-24 Bt 1879-80
 Nos. 3, 4, 6-13 Bt 1878-9 but lighter

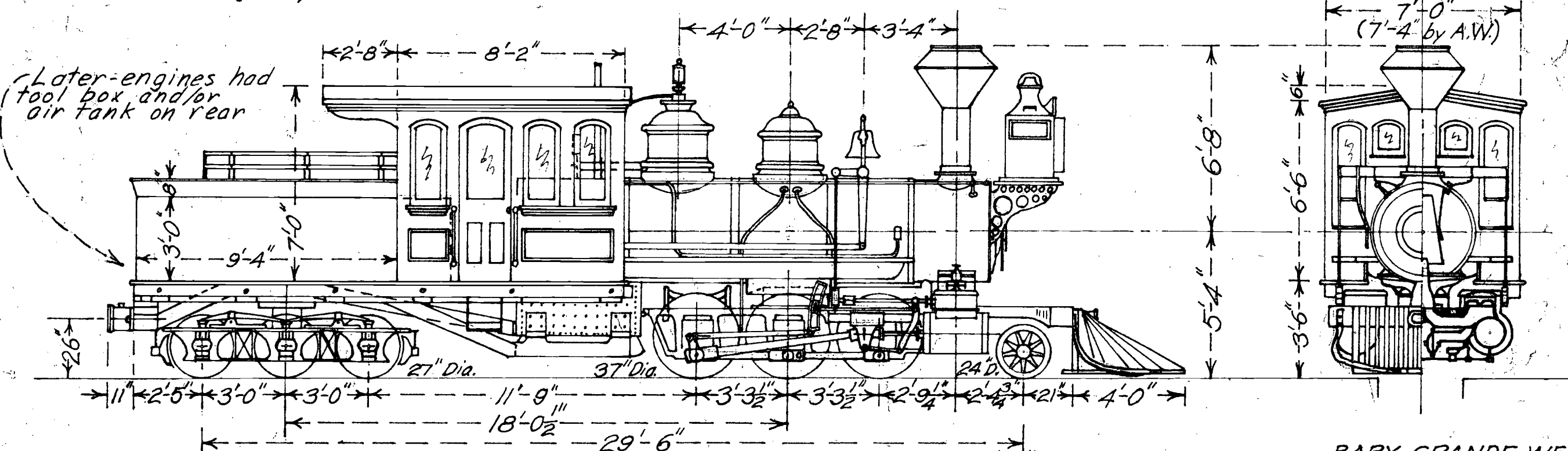
DENVER SOUTH PARK & PACIFIC
 Mason 2-6-6T
 "BRECKENRIDGE"
 No 15

Scale $\frac{1}{4}'' = 1'$

Engines originally equipped with steam cylinder brake and Eames Vacuum Brake; air brake added in mid-80's; air pump located in front of right cab door.



All wheels originally 9 spokes



Driver spacing; Lgt. main rod; Cyl. ξ ; Tender wheel dia. from data in Art Wallace collection.

Main Rod 6'-1"

Details of mechanism and frame from O-4-4T Dwg. in Rwy. Gazette.
 All other dimensions scaled from Builder's photo of "Breckenridge" No. 15 and other photos.

(Drawing Originally No DSP-7)

BABY GRANDE WESTERN
 BALSAM SHOPS
 Drawn: J.W.M. DSP-107
 Wheat Ridge, Colo. 10-20-55