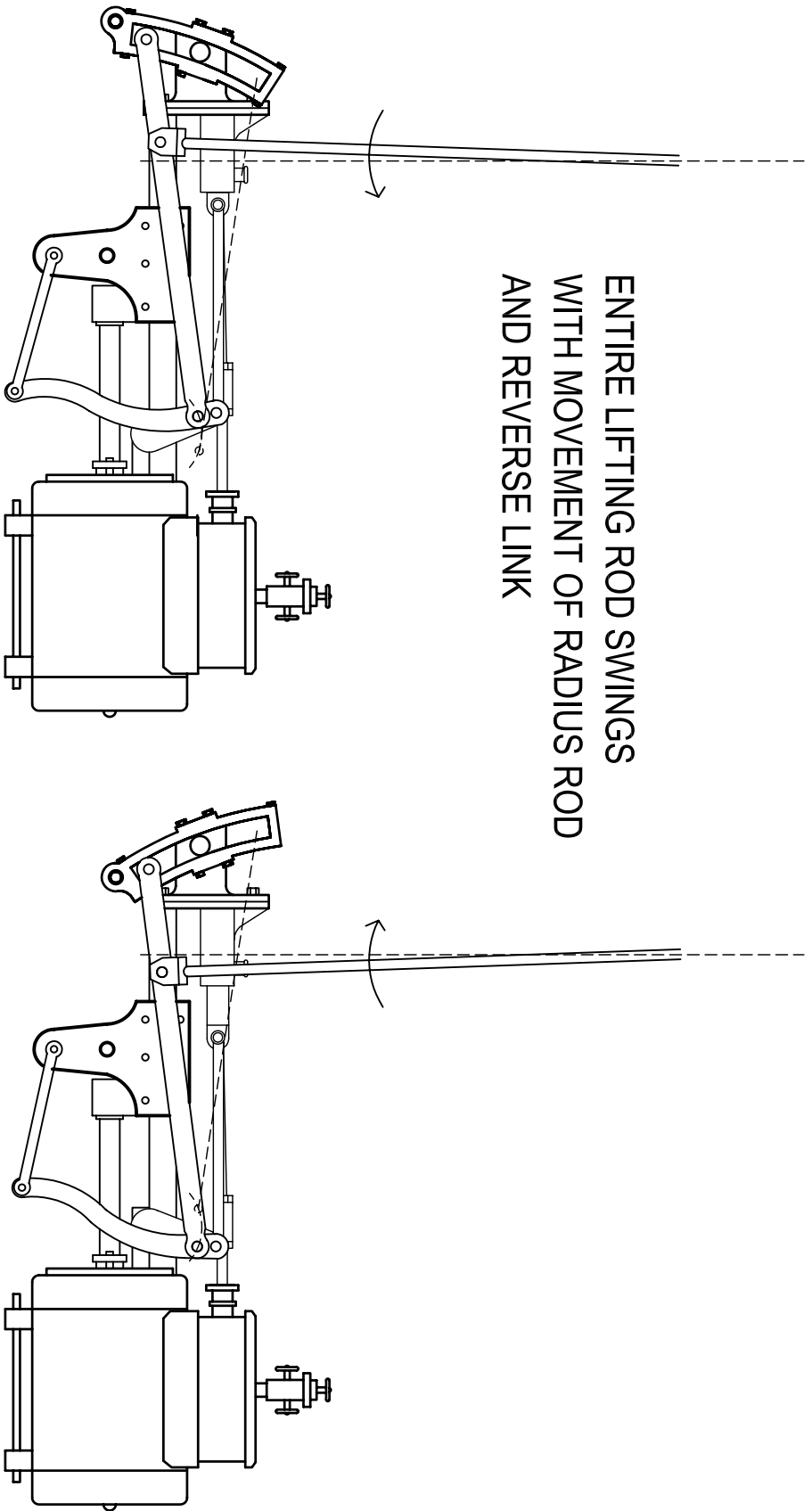


ENTIRE LIFTING ROD SWINGS
WITH MOVEMENT OF RADIUS ROD
AND REVERSE LINK



POST 1880 REVISED MASON LIFTING RODS

SCALE = 1:1

