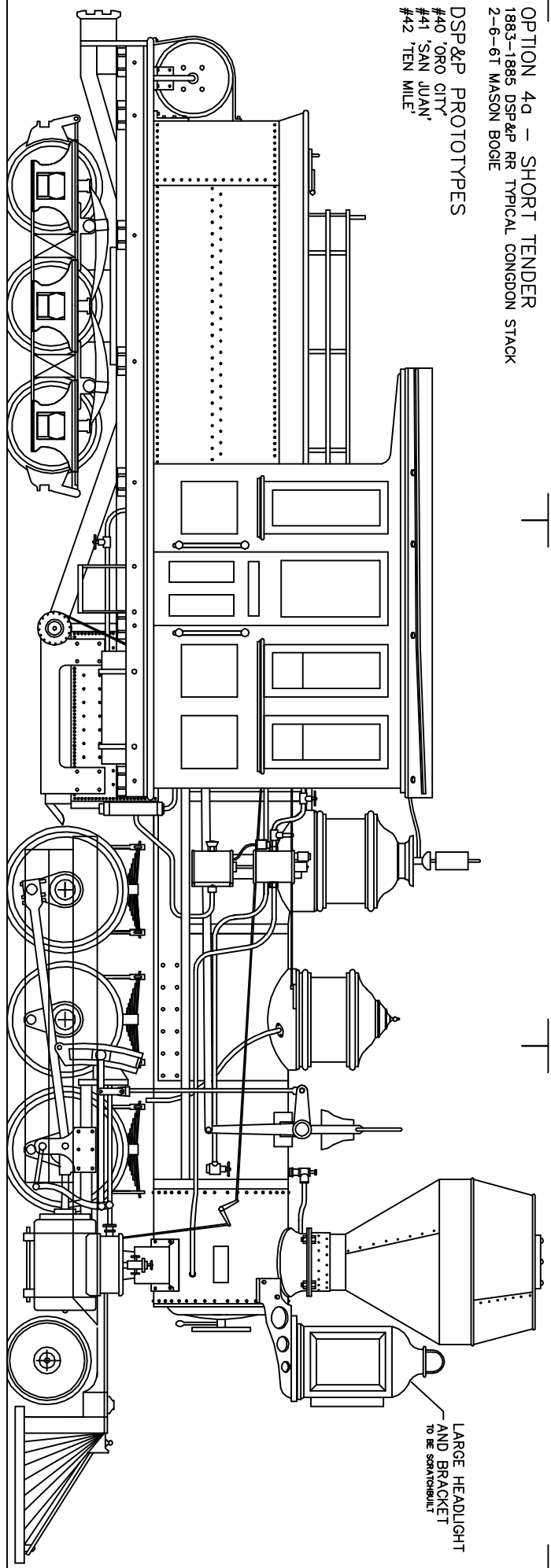


OPTION 4d - SHORT TENDER
1883-1885 DSP&P RR TYPICAL CONGDON STACK
2-6-6T MASON BOGIE

DSP&P PROTOTYPES
#40 'ORO CITY'
#41 'SAN JUAN'
#42 'TEN MILE'



COPYRIGHT © DAVID FLETCHER 2002
ALL RIGHTS RESERVED

COPYRIGHT © DAVID FLETCHER 2002
ALL RIGHTS RESERVED

COPYRIGHT © DAVID FLETCHER 2002
ALL RIGHTS RESERVED

